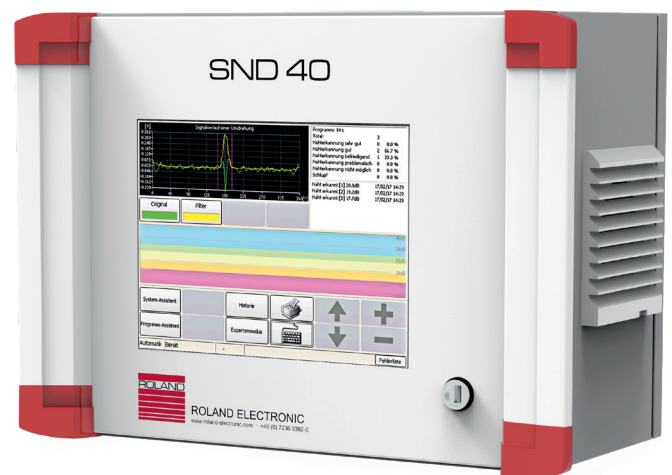




NT-NS24-S

EXTERNAL POWER SUPPLY FOR SND40

- The power supply unit supplies the magnetic current supply of the NS24 sensor
- NS9 / NS12 sensors can also be supplied in bypass mode
- The following functions are available:
 1. bypass active (NS9 or NS12 sensors)
 2. level switching



NT-NS24-S

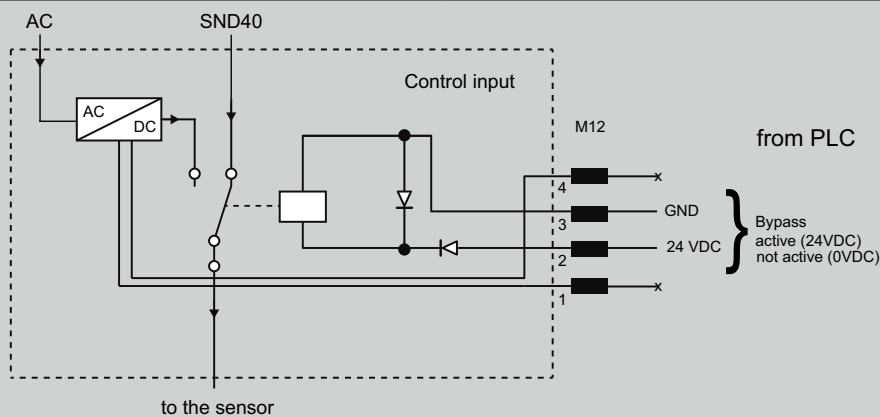
Description

The power supply unit supplies the magnetic current supply of the NS24 sensor

Operation

For operation on the SND40, it is necessary to select a magnetization of at least 14%. In addition, the cable break monitoring on the SND40 (system configuration) must be switched off.

Connection active 1: Bypass active



The following functions are available via the 4-pin M12 connector (A-coded):

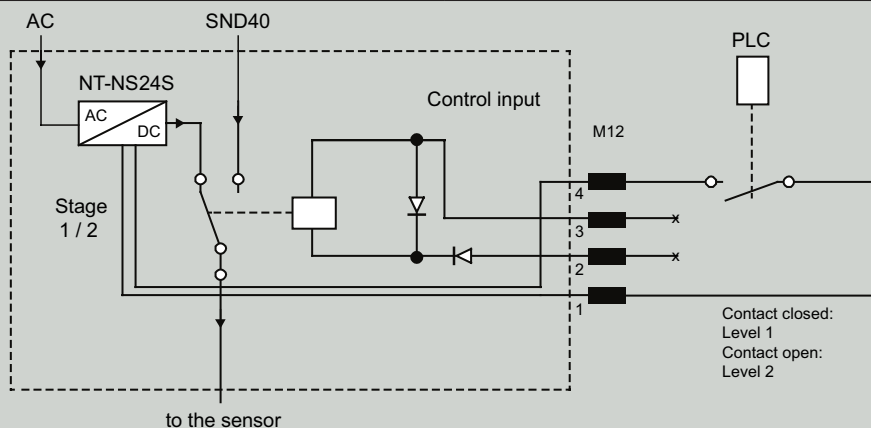
Bypass active: the PLC can use this to control whether the sensor should be supplied directly from the SND40 - for example for NS9 or NS12 sensors. Pins 2 and 3 must be used for this purpose - when a voltage of 24VDC is applied, the sensor is supplied from the SND40. At 0VDC, the sensor is supplied by the power supply unit - for sensors of type NS24.

Notes:

DO NOT USE BYPASS ACTIVE for sensors type NS24!

To operate the NT-NS24-S power supply unit, cable break monitoring must be switched off on the SND40.

Connection scheme 2: Level switching



To perform level switching connect pin 1 and pin 4 via an electrically isolated contact; possible only if the bypass function is not active.

NT-NS24-S

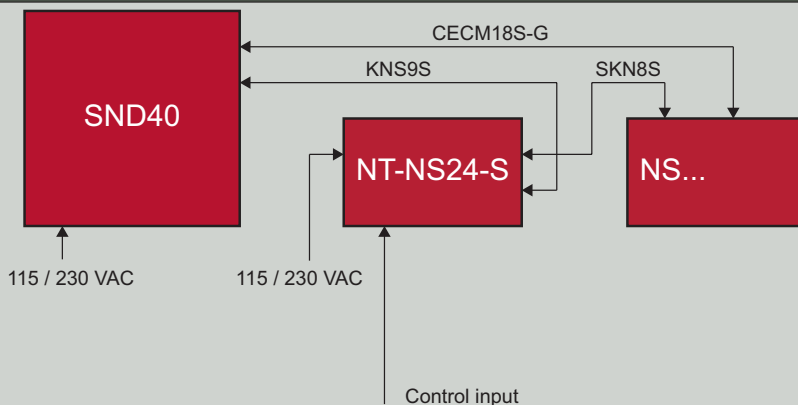
Contact closed: Level 1 2.2A
Contact open: Level 2 4.3A

NT-NS24-S-CS1

Contact closed: Level 1 3.8A
Contact open: Level 2 8A

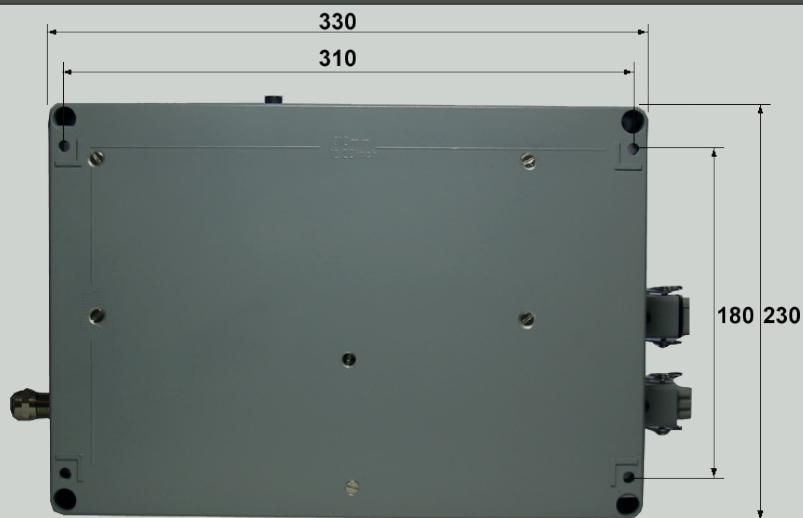
EXTERNAL POWER SUPPLY FOR SND40

Connection scheme



The NT-NS24-S and the NT-NS24-S-CS1 must be connected according to the following diagram, using the specified cables.

Mounting



Mounting width: 450mm | Mounting depth: 240mm | Mounting height: 120 mm

Connection and components



01. HAN8 pin connector. Input for control by the SND40

04. LED. Supply on

02. M12 control input from the system control for bypass and stages

05. cable entry for mains cable

03. HAN8 female connector. Output for supplying the sensor

06. mains connection clamps in the device



Technical Data

NT-NS24-S / NT-NS24-S-CS1		
Power supply voltage:	From 90V to 260V AC 50-60Hz (Wide range input)	
Nominal current:	typ. 0.6A / 230V AC	
Switch-on peak:	60A / 375µs	
Power output:	max. duration 120 W	
Voltage output:	max. 20V DC	
Current output: DO NOT USE BYPASS ACTIVE FOR SENSORS NS24!	NT-NS24-S	NT-NS24-S-CS1
	Bypass: From 0 to 0.7A Level 1: fixed 2.2A Level 2: fixed 4.3A	Bypass: From 0 to 0.7A Level 1: fixed 3.8A Level 2: fixed 8A
Control:	Optocoupler input for switching the output voltage	
Ambient temperature:	0...40°C(Operation)	
Connections:	Harting plug connections	
Enclosure:	Wall-mount housing, aluminum	
Protection class:	IP65	
Gewicht:	5.5kg	
Dimensions:	approx.330x180x110mm (without plug) approx.410x180x110mm (with plug)	

Pin assignment Harting plug (for information only)					
Connection SND40 (HAN8)			Connection Sensor (HAN8)		
Pin 1	+12V	jumpered	Pin 1	+12V	
Pin 2	-12V	jumpered	Pin 2	-12V	
Pin 3	AGND	jumpered	Pin 3	AGND	
Pin 4	Measuring signal	jumpered	Pin 4	Measuring signal	
Pin 5	Measuring signal	jumpered	Pin 5	Measuring signal	
Pin 6	+ Coil		Pin 6	+ Magnetic coil	
Pin 7	- Coil		Pin 7	- Magnetic coil	
Pin 8	Functional ground		Pin 8	Functional ground	

Revision 1.0, December 2024 - Subject to technical modification and error

Order information

Part no.	Description
NT-NS24-S	External power supply unit NT-NS24 for SND40
NT-NS24-S-CS1	External power supply unit NT-NS24-CS1 for SND40

ROLAND ELECTRONIC GmbH

Otto-Maurer-Straße 17 75210 Keltern / Germany
 phone: +49 7236 9392-0 fax: +49 7236 9392-33
 info@roland-electronic.com www.roland-electronic.com

